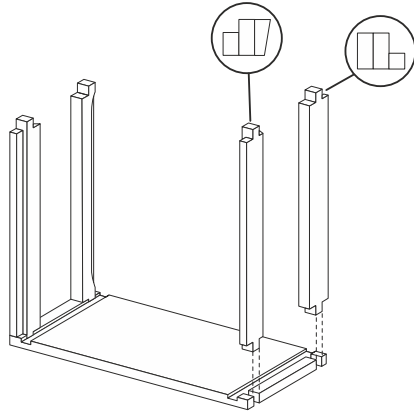


Assembly Instructions - National Super

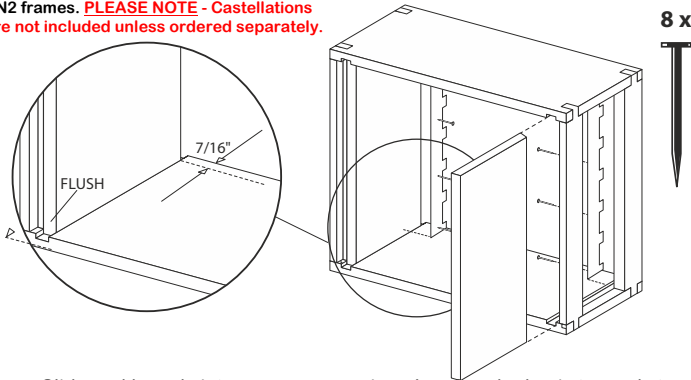


MAISEMORE APIARIES

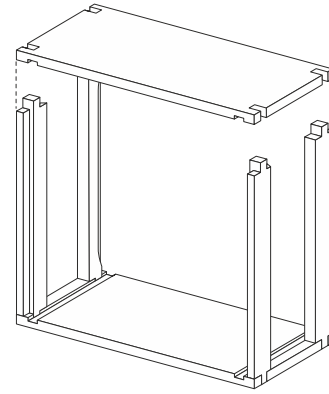


- 1** Lay side panel flat. Insert top rails with cutouts facing in and up. Insert bottom rails with chamfer sloping down and outwards.

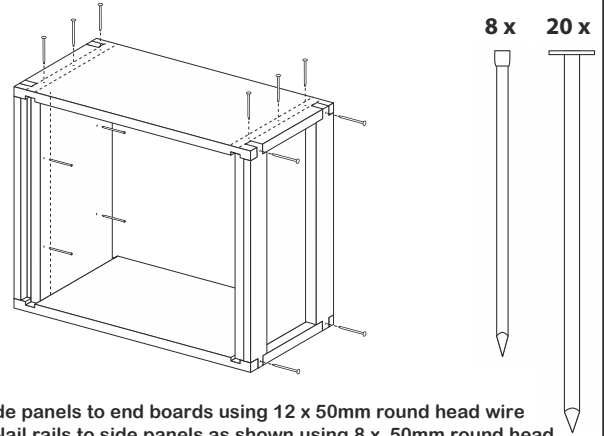
Castellations are only used if you use SN1 or SN2 frames. **PLEASE NOTE - Castellations are not included unless ordered separately.**



- 3** Slide end boards into grooves ensuring chamfered edge is towards top and slopes down and out. The top edge must be 7/16" below the top edge of the side panel. Fit castellated frame spacers to inside of side panels as shown, using 8 x 19mm frame nails.



- 2** Place second side panel on top.



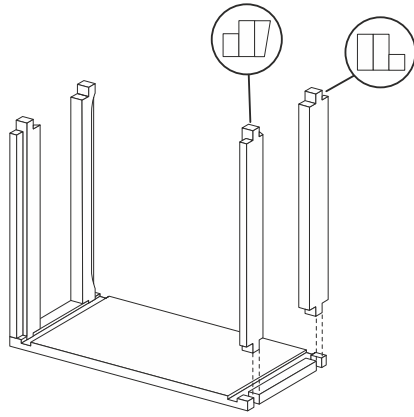
- 4** Nail side panels to end boards using 12 x 50mm round head wire nails. Nail rails to side panels as shown using 8 x 50mm round head wire nails. Nail end boards to rails using 8 x 40mm lost head nails.

Old Road, Maisemore, Gloucester, GL2 8HT Tel: 01452 700289 Fax: 01452 700196 email: sales@bees-online.co.uk www.bees-online.co.uk www.woodenbriquettes.co.uk

Assembly Instructions - National Super

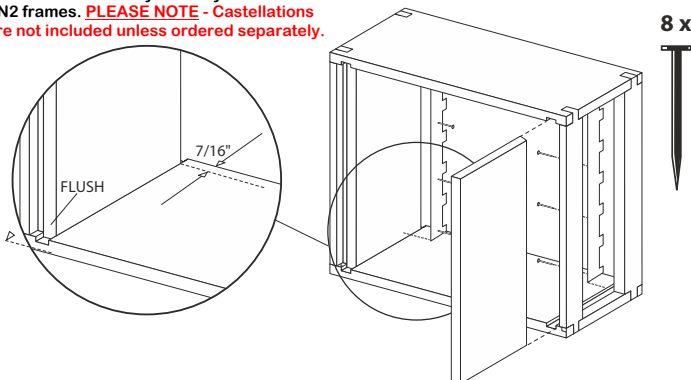


MAISEMORE APIARIES

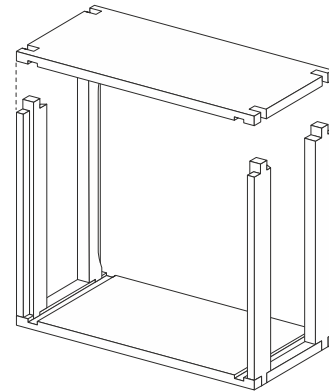


- 1** Lay side panel flat. Insert top rails with cutouts facing in and up. Insert bottom rails with chamfer sloping down and outwards.

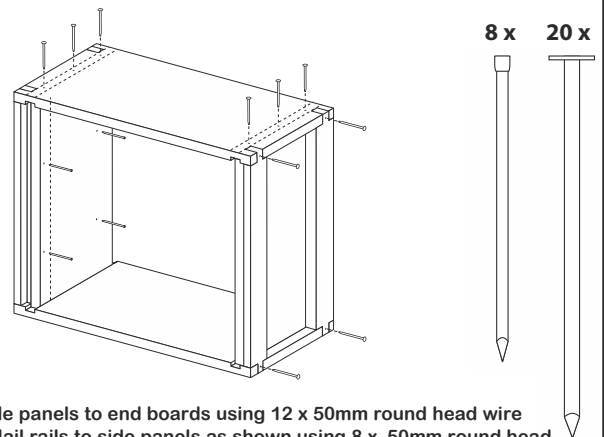
Castellations are only used if you use SN1 or SN2 frames. **PLEASE NOTE - Castellations are not included unless ordered separately.**



- 3** Slide end boards into grooves ensuring chamfered edge is towards top and slopes down and out. The top edge must be 7/16" below the top edge of the side panel. Fit castellated frame spacers to inside of side panels as shown, using 8 x 19mm frame nails.



- 2** Place second side panel on top.



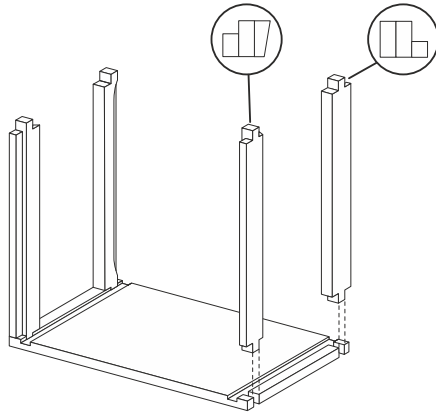
- 4** Nail side panels to end boards using 12 x 50mm round head wire nails. Nail rails to side panels as shown using 8 x 50mm round head wire nails. Nail end boards to rails using 8 x 40mm lost head nails.

Old Road, Maisemore, Gloucester, GL2 8HT Tel: 01452 700289 Fax: 01452 700196 email: sales@bees-online.co.uk www.bees-online.co.uk www.woodenbriquettes.co.uk

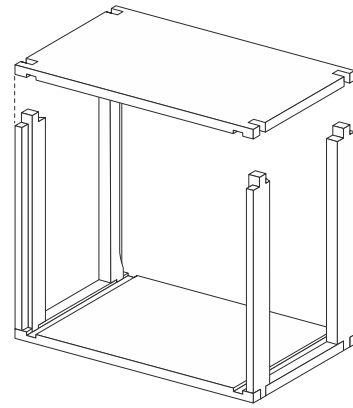
Assembly Instructions - National Brood Chamber



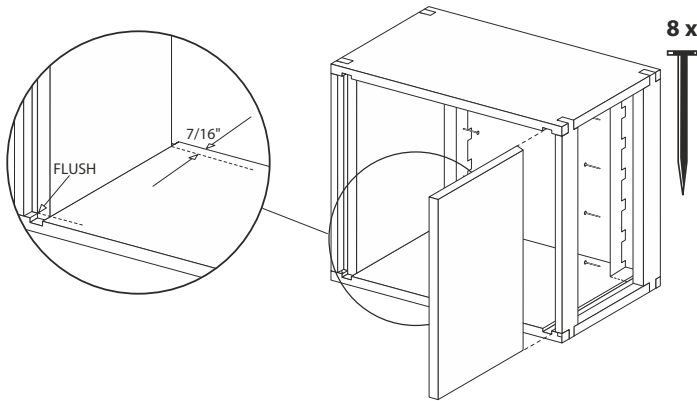
MAISEMORE APIARIES



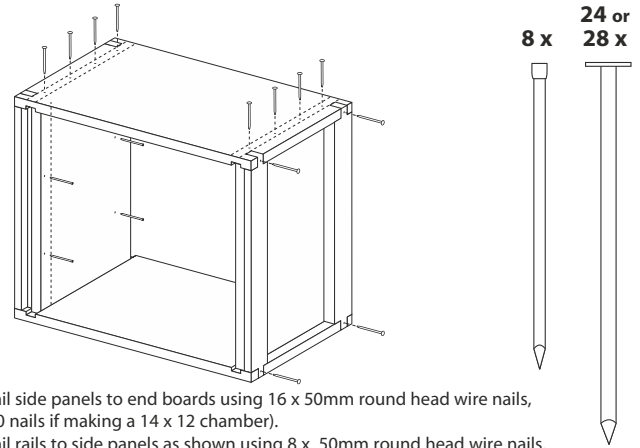
1 Lay side panel flat. Insert top rails with cutouts facing in and up. Insert bottom rails with chamfer sloping down and outwards.



2 Place second side panel on top



3 Slide end boards into grooves ensuring chamfered edge is towards top and slopes down and out. The top edge must be 7/16" below the top edge of the side panel. Fit Frame Separators to inside of side panels as shown, using 8 x 19mm frame nails



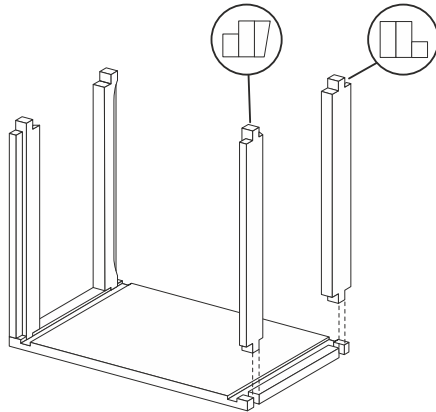
4 Nail side panels to end boards using 16 x 50mm round head wire nails, (20 nails if making a 14 x 12 chamber). Nail rails to side panels as shown using 8 x 50mm round head wire nails. Nail end boards to rails using 8 x 40mm lost head nails

Old Road, Maisemore, Gloucester, GL2 8HT Tel: 01452 700289 Fax: 01452 700196 email: sales@bees-online.co.uk www.bees-online.co.uk www.honey-online.co.uk

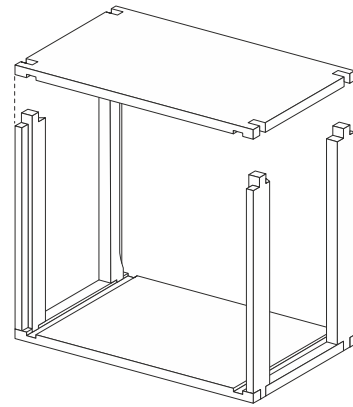
Assembly Instructions - National Brood Chamber



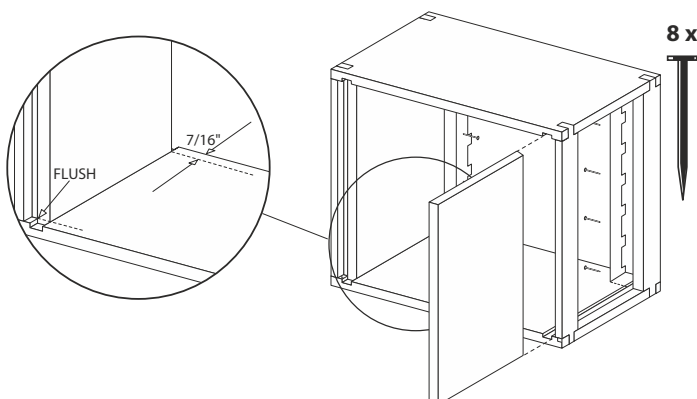
MAISEMORE APIARIES



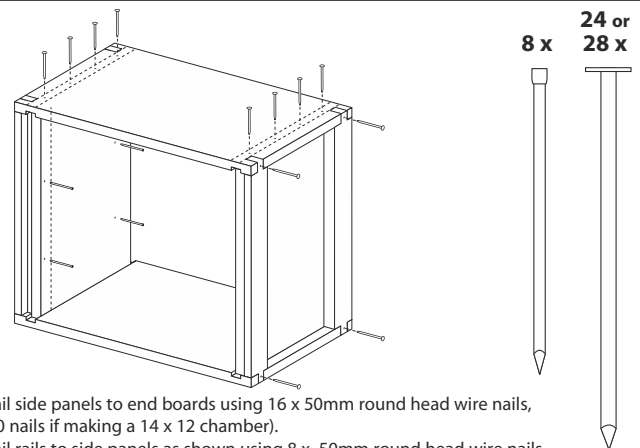
1 Lay side panel flat. Insert top rails with cutouts facing in and up. Insert bottom rails with chamfer sloping down and outwards.



2 Place second side panel on top



3 Slide end boards into grooves ensuring chamfered edge is towards top and slopes down and out. The top edge must be 7/16" below the top edge of the side panel. Fit Frame Separators to inside of side panels as shown, using 8 x 19mm frame nails



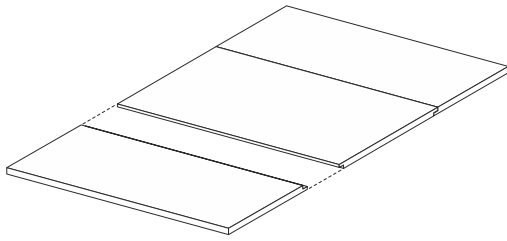
4 Nail side panels to end boards using 16 x 50mm round head wire nails, (20 nails if making a 14 x 12 chamber). Nail rails to side panels as shown using 8 x 50mm round head wire nails. Nail end boards to rails using 8 x 40mm lost head nails

Old Road, Maisemore, Gloucester, GL2 8HT Tel: 01452 700289 Fax: 01452 700196 email: sales@bees-online.co.uk www.bees-online.co.uk www.honey-online.co.uk

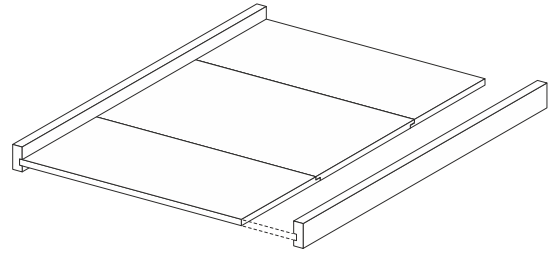
Assembly Instructions - National Floor



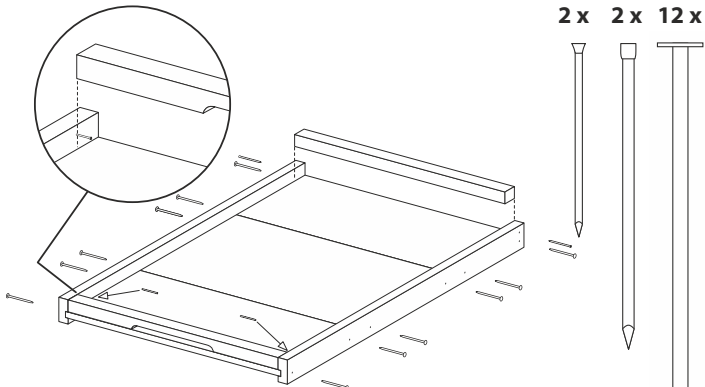
MAISEMORE APIARIES



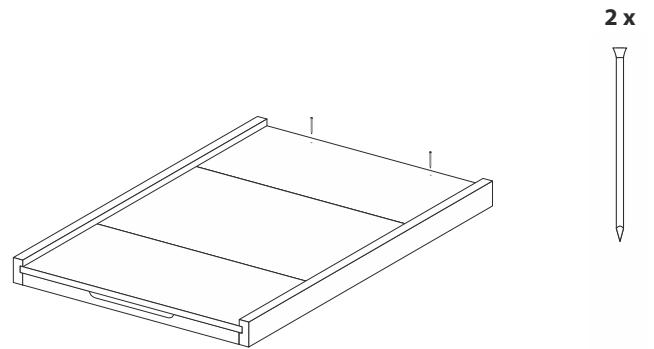
1 Place floor panels flat fitting rebates together as shown.



2 Slot side rails onto floor edges; groove should be to bottom of rail.



3 Nail side rails to floor panels using 12 x 50mm round head nails. Position back block between rails and nail using 2 x 40mm pins. Position front/entry block between rails and scribe inner edge to side rails. Remove block and tap in a 25mm pin to half it's length at scribed line to prevent block being pushed into hive. Front block is left loose.



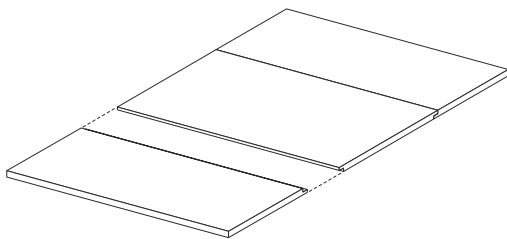
4 Turn floor over and nail through floor into back block using 2 x 25mm pins.

Old Road, Maisemore, Gloucester, GL2 8HT Tel: 01452 700289 Fax: 01452 700196 email: sales@bees-online.co.uk www.bees-online.co.uk www.honey-online.co.uk

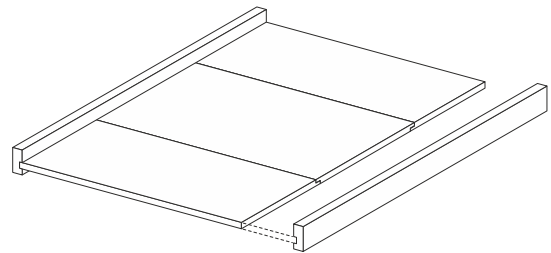
Assembly Instructions - National Floor



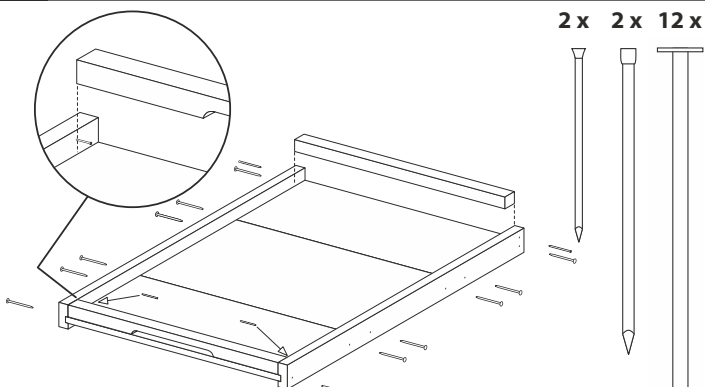
MAISEMORE APIARIES



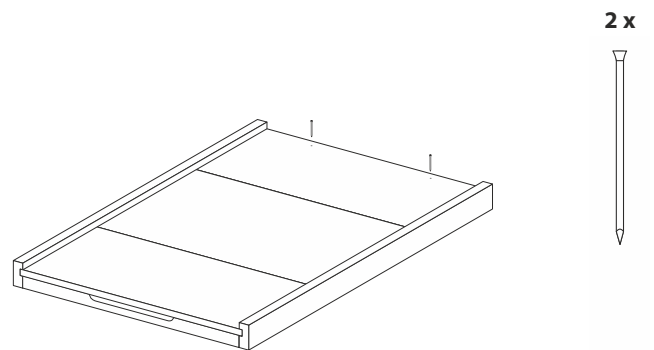
1 Place floor panels flat fitting rebates together as shown.



2 Slot side rails onto floor edges; groove should be to bottom of rail.



3 Nail side rails to floor panels using 12 x 50mm round head nails. Position back block between rails and nail using 2 x 40mm pins. Position front/entry block between rails and scribe inner edge to side rails. Remove block and tap in a 25mm pin to half it's length at scribed line to prevent block being pushed into hive. Front block is left loose.



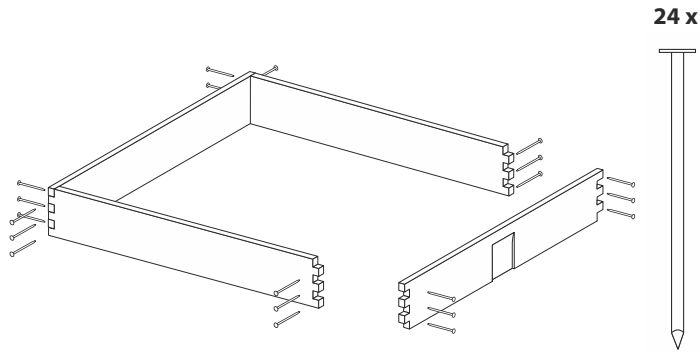
4 Turn floor over and nail through floor into back block using 2 x 25mm pins.

Old Road, Maisemore, Gloucester, GL2 8HT Tel: 01452 700289 Fax: 01452 700196 email: sales@bees-online.co.uk www.bees-online.co.uk www.honey-online.co.uk

Assembly Instructions - National Roof



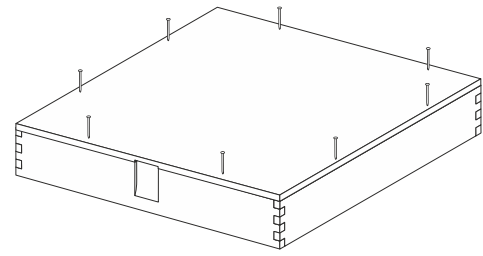
MAISEMORE APIARIES



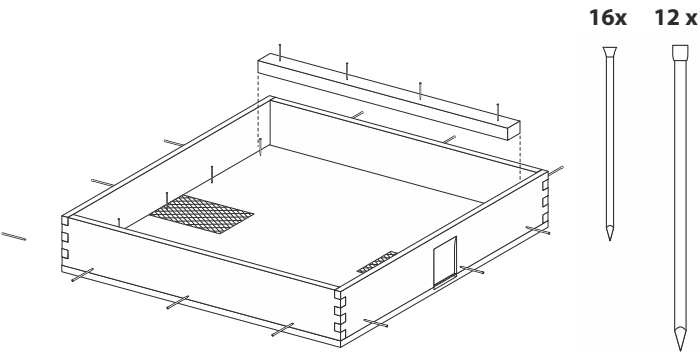
24 x

1 Assemble roof sides as diagram ensuring vent cutouts are to outside and aligned with grilles. Nail sides together using 24 x 40mm round head nails. Check side assembly remains square.

8 x



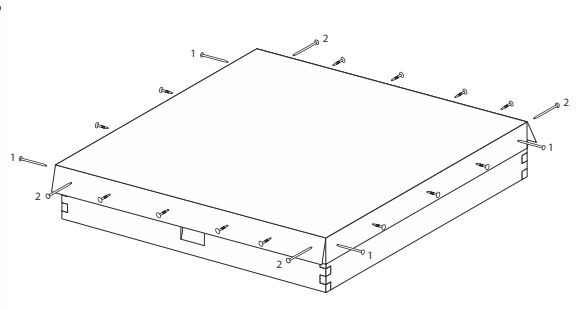
2 Turn frame over and nail roof panel to sides using 8 x 40mm round head nails. Ensure vent grilles align with side cutouts.



16x 12 x

3 Place roof spacer blocks inside roof and nail to roof panel using 25 mm pins: 4 per block at vent sides and 4 per block at remaining sides. Nail through sides into spacer blocks using 12 x 40mm pins.

16 x 8 x



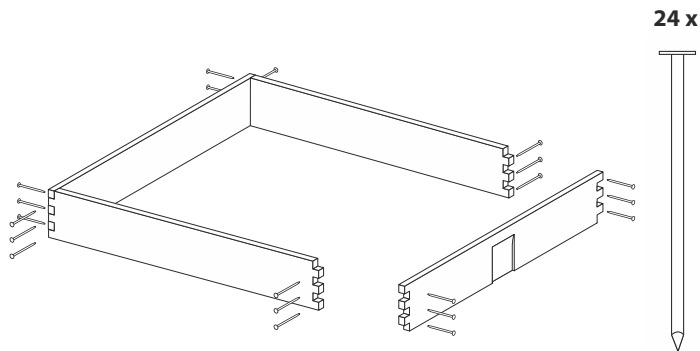
4 Place metal cover over roof and nail to sides in the following sequence: First the edges with flaps (1) in the corners with 4 x 40mm round head nails. Next nail the edges without flaps (2) in the corners using 4 x round head nails. Finally nail round the sides using 16 x 12mm round head nails.

Old Road, Maisemore, Gloucester, GL2 8HT Tel: 01452 700289 Fax: 01452 700196 email: sales@bees-online.co.uk www.bees-online.co.uk www.honey-online.co.uk

Assembly Instructions - National Roof



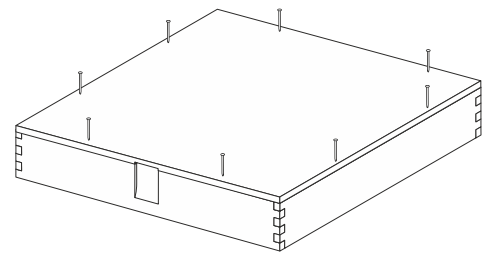
MAISEMORE APIARIES



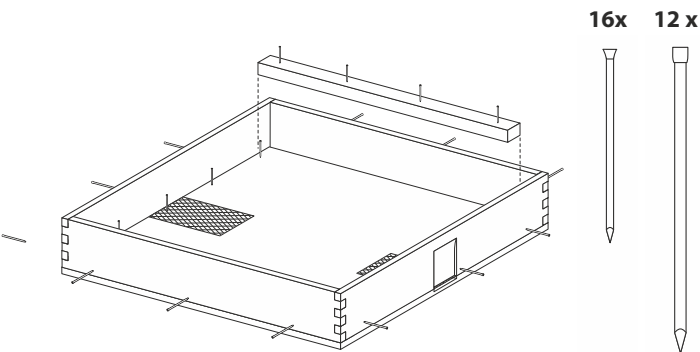
24 x

1 Assemble roof sides as diagram ensuring vent cutouts are to outside and aligned with grilles. Nail sides together using 24 x 40mm round head nails. Check side assembly remains square.

8 x



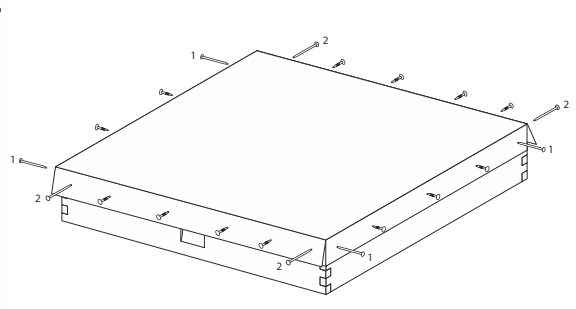
2 Turn frame over and nail roof panel to sides using 8 x 40mm round head nails. Ensure vent grilles align with side cutouts.



16x 12 x

3 Place roof spacer blocks inside roof and nail to roof panel using 25 mm pins: 4 per block at vent sides and 4 per block at remaining sides. Nail through sides into spacer blocks using 12 x 40mm pins.

16 x 8 x



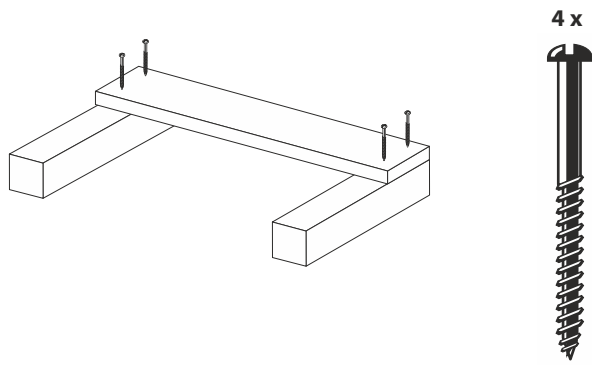
4 Place metal cover over roof and nail to sides in the following sequence: First the edges with flaps (1) in the corners with 4 x 40mm round head nails. Next nail the edges without flaps (2) in the corners using 4 x round head nails. Finally nail round the sides using 16 x 12mm round head nails.

Old Road, Maisemore, Gloucester, GL2 8HT Tel: 01452 700289 Fax: 01452 700196 email: sales@bees-online.co.uk www.bees-online.co.uk www.honey-online.co.uk

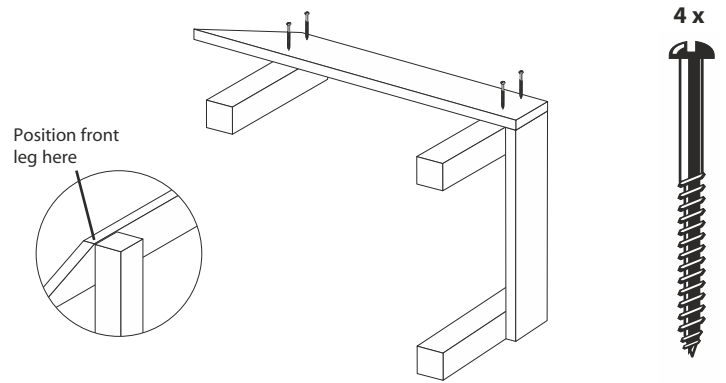
Assembly Instructions - Hive stand with Legs and an Alighting Board



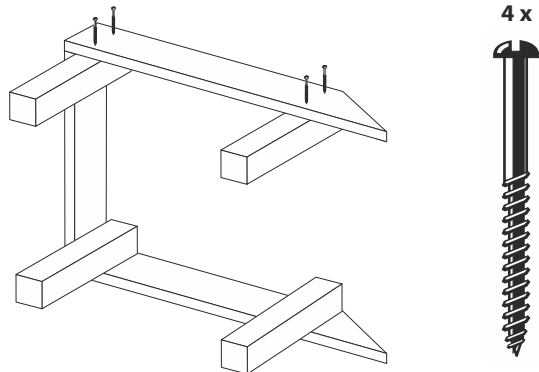
MAISEMORE APIARIES



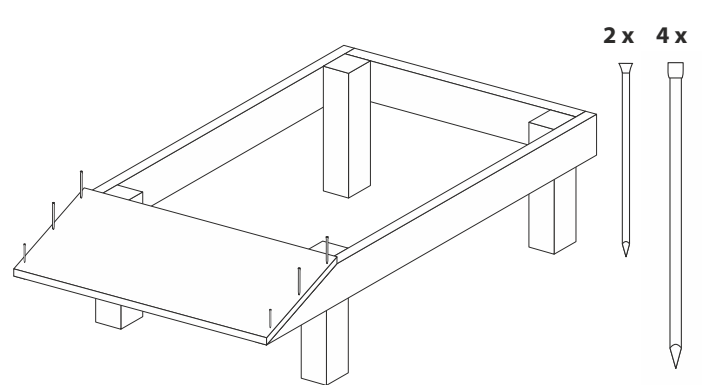
1 Place rear legs as shown, and fix rear cross rail using 4 x 40mm black japanned screws



2 Place left hand side rail and front leg in place as shown and fix using 4 x 40mm black japanned screws.



3 Repeat with the right hand side rail and front leg



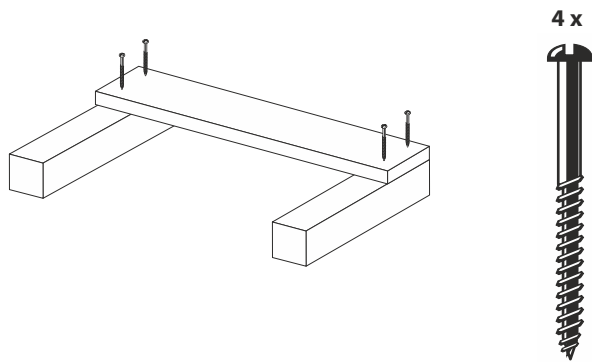
4 Nail the front slope into place, flush to the front edge of the side rails with its front edge vertical, using 2 x 25mm pins and 4 x 40mm lost head nails

Old Road, Maisemore, Gloucester, GL2 8HT Tel: 01452 700289 Fax: 01452 700196 email: sales@bees-online.co.uk www.bees-online.co.uk www.honey-online.co.uk

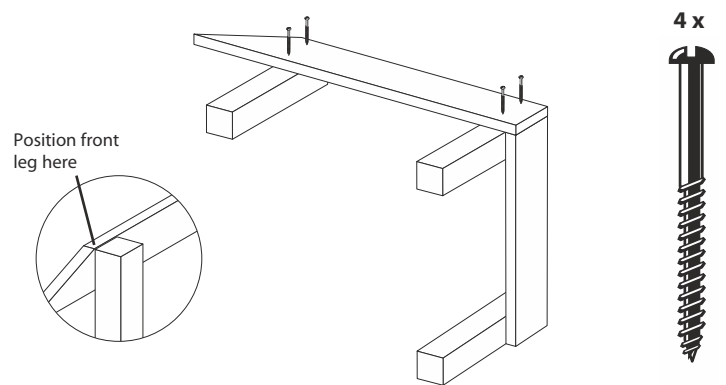
Assembly Instructions - Hive stand with Legs and an Alighting Board



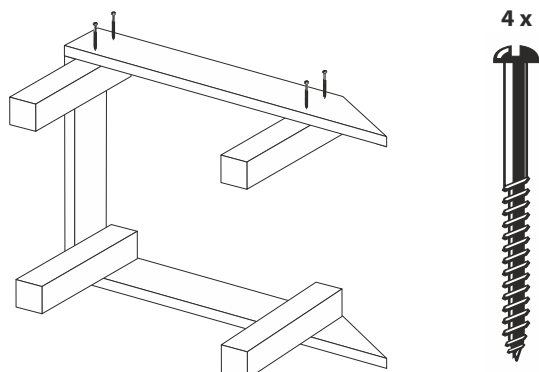
MAISEMORE APIARIES



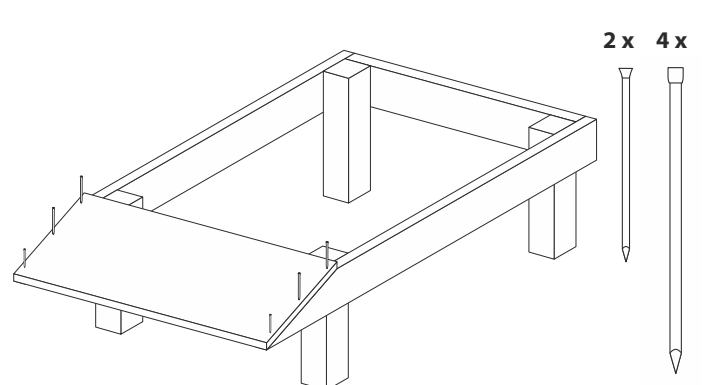
1 Place rear legs as shown, and fix rear cross rail using 4 x 40mm black japanned screws



2 Place left hand side rail and front leg in place as shown and fix using 4 x 40mm black japanned screws.



3 Repeat with the right hand side rail and front leg



4 Nail the front slope into place, flush to the front edge of the side rails with its front edge vertical, using 2 x 25mm pins and 4 x 40mm lost head nails

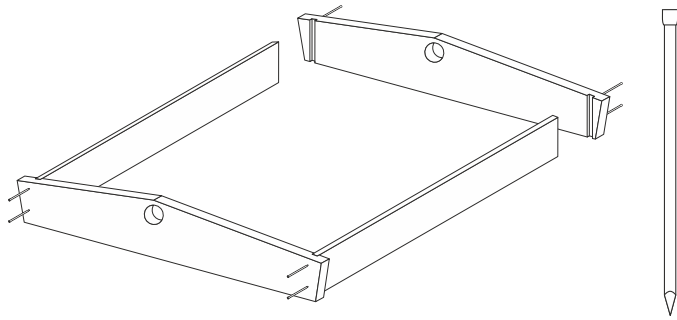
Old Road, Maisemore, Gloucester, GL2 8HT Tel: 01452 700289 Fax: 01452 700196 email: sales@bees-online.co.uk www.bees-online.co.uk www.honey-online.co.uk

Assembly Instructions - Gabled Roof



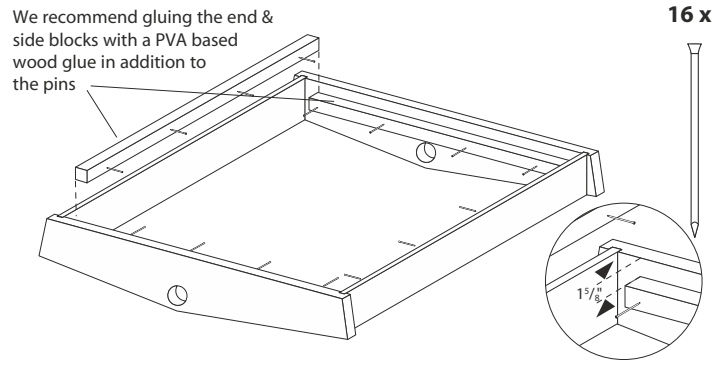
MAISEMORE APIARIES

8 x



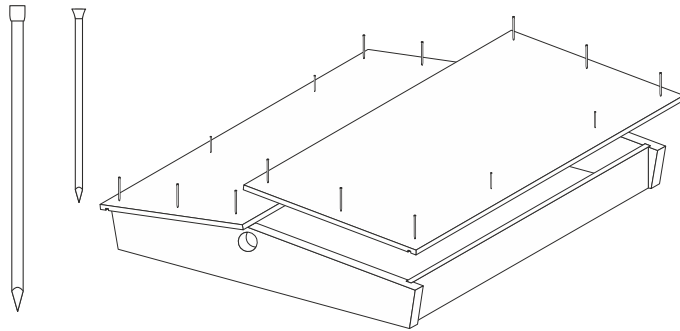
1 Assemble roof ends to side rails sides as shown. Nail through ends into side rails using 8 x 40 mm lost head nails. Check assembly remains square.

16 x



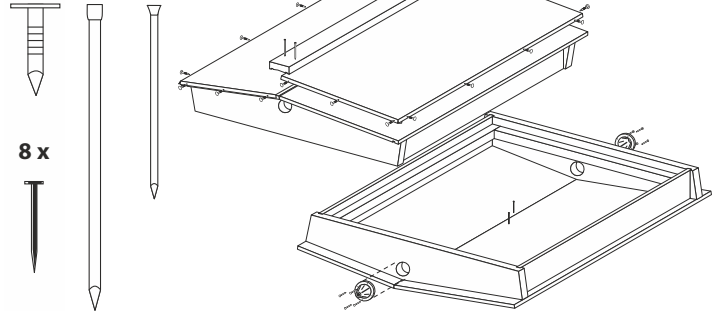
2 Turn roof over and position inner end blocks and inner side blocks $1\frac{5}{8}$ " from the lower edge of the roof. Nail to ends and sides using 4 x 25 mm pins per block.

12 x 4 x



3 Position roof panels as shown (overhang equally at each end) and nail to end boards using 12 x 40 mm lost head nails. Nail to sides using 4 x 25 mm pins.

20 x 4 x 2 x



4 Turn roof over, place metal covers over roof and nail to roof edges using 20 x 12 mm round head nails. Position apex cover strip as shown and nail to roof end boards using 4 x 40 mm lost head nails. Turn roof over and nail through roof panels into apex cover strip using 2 x 25 mm pins. Position vent covers over vent holes and nail in place using 8 x 12 mm black japanned round head tacks.

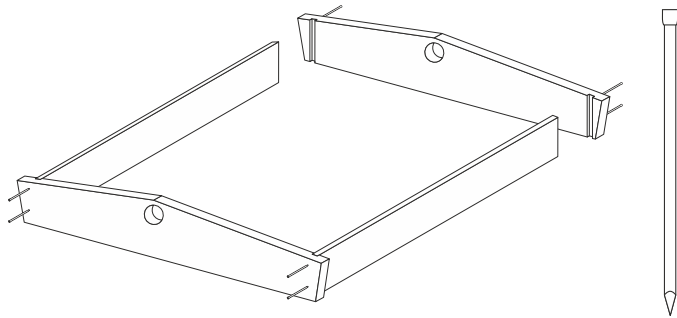
Old Road, MaiseMore, Gloucester, GL2 8HT Tel: 01452 700289 Fax: 01452 700196 email: sales@bees-online.co.uk www.bees-online.co.uk www.honey-online.co.uk

Assembly Instructions - Gabled Roof



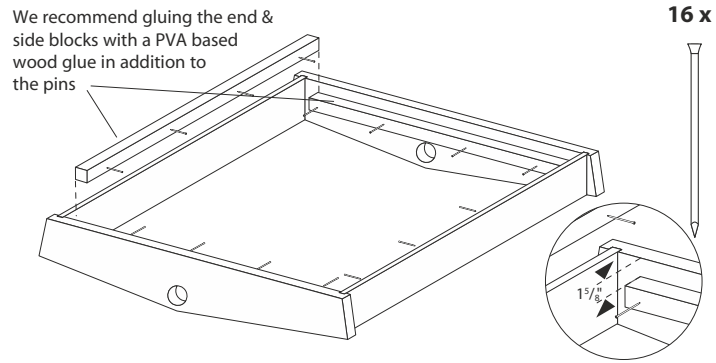
MAISEMORE APIARIES

8 x



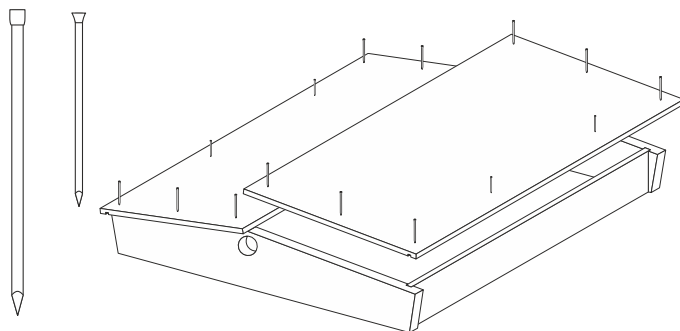
1 Assemble roof ends to side rails sides as shown. Nail through ends into side rails using 8 x 40 mm lost head nails. Check assembly remains square.

16 x



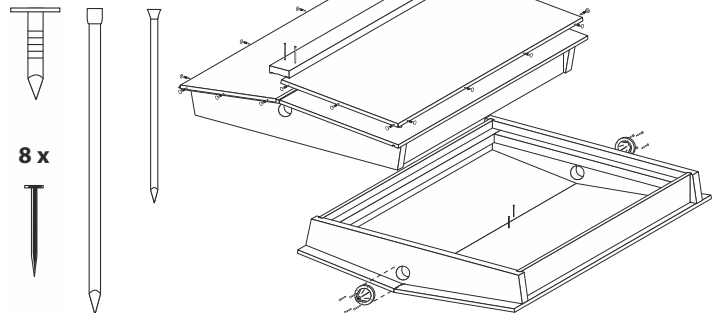
2 Turn roof over and position inner end blocks and inner side blocks $1\frac{5}{8}$ " from the lower edge of the roof. Nail to ends and sides using 4 x 25 mm pins per block.

12 x 4 x



3 Position roof panels as shown (overhang equally at each end) and nail to end boards using 12 x 40 mm lost head nails. Nail to sides using 4 x 25 mm pins.

20 x 4 x 2 x



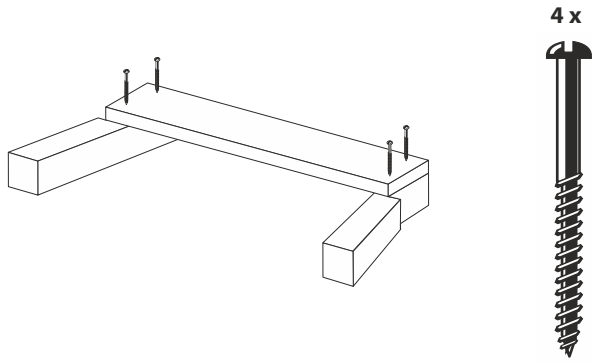
4 Turn roof over, place metal covers over roof and nail to roof edges using 20 x 12 mm round head nails. Position apex cover strip as shown and nail to roof end boards using 4 x 40 mm lost head nails. Turn roof over and nail through roof panels into apex cover strip using 2 x 25 mm pins. Position vent covers over vent holes and nail in place using 8 x 12 mm black japanned round head tacks.

Old Road, MaiseMore, Gloucester, GL2 8HT Tel: 01452 700289 Fax: 01452 700196 email: sales@bees-online.co.uk www.bees-online.co.uk www.honey-online.co.uk

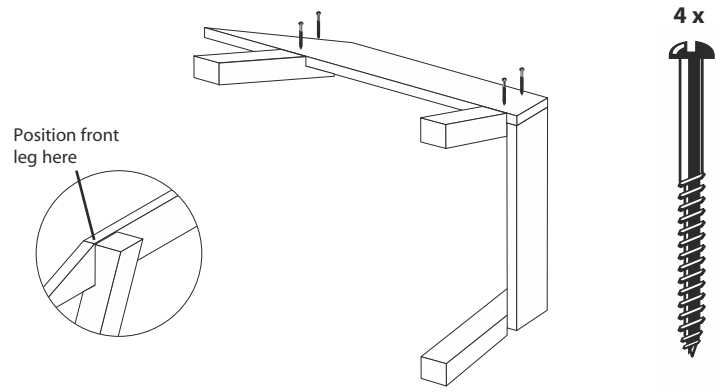
Assembly Instructions - Hive stand WBC legs



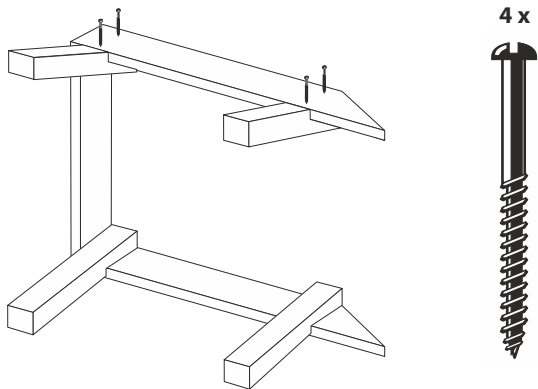
MAISEMORE APIARIES



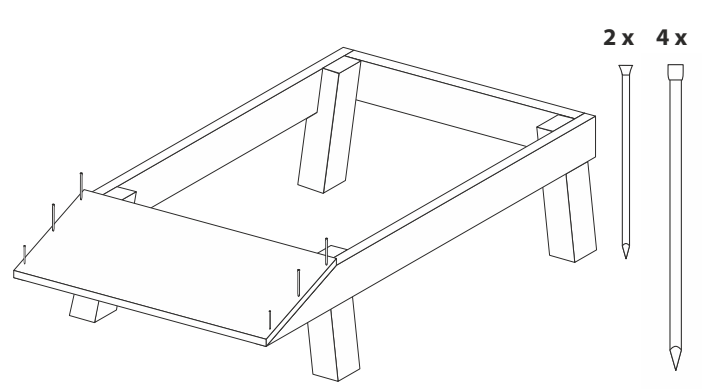
1 Place rear legs as shown, and fix rear cross rail using 4 x 40mm black japanned screws



2 Place left hand side rail and front leg in place as shown and fix using 4 x 40mm black japanned screws.



3 Repeat with the right hand side rail and front leg



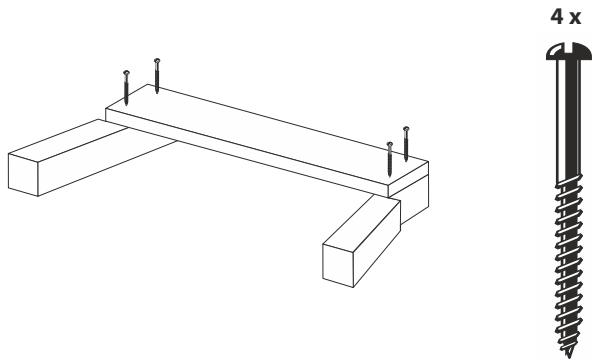
4 Nail the front slope into place, flush to the front edge of the side rails with its front edge vertical, using 2 x 25mm pins and 4 x 40mm lost head nails

Old Road, Maisemore, Gloucester, GL2 8HT Tel: 01452 700289 Fax: 01452 700196 email: sales@bees-online.co.uk www.bees-online.co.uk www.honey-online.co.uk

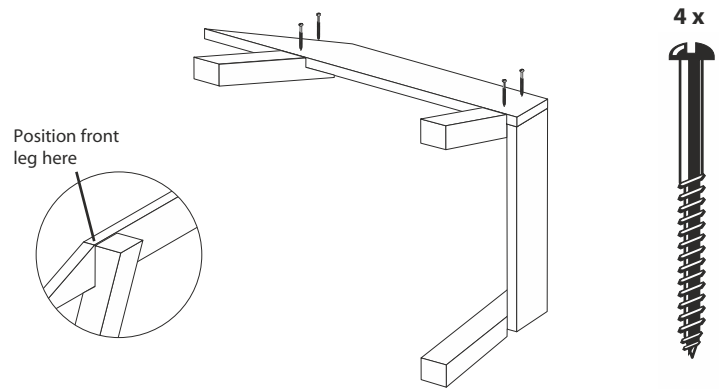
Assembly Instructions - Hive stand WBC legs



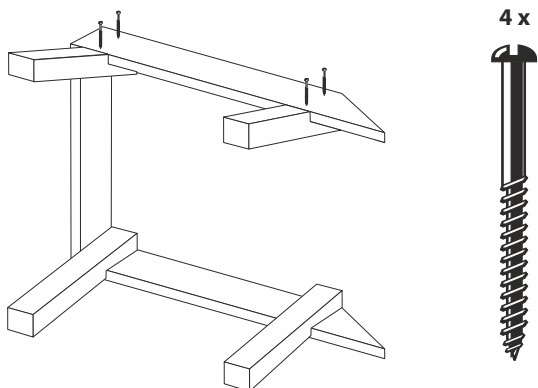
MAISEMORE APIARIES



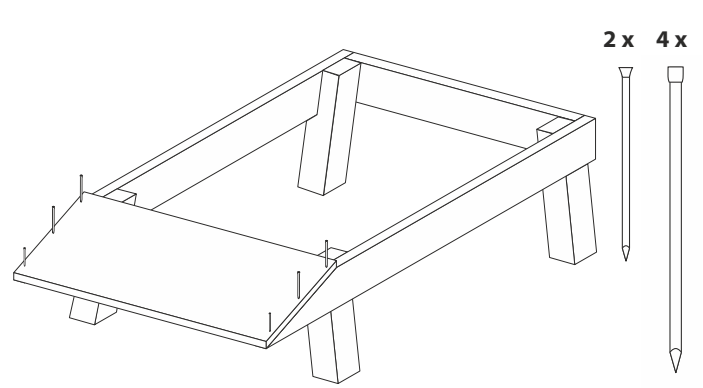
1 Place rear legs as shown, and fix rear cross rail using 4 x 40mm black japanned screws



2 Place left hand side rail and front leg in place as shown and fix using 4 x 40mm black japanned screws.



3 Repeat with the right hand side rail and front leg



4 Nail the front slope into place, flush to the front edge of the side rails with its front edge vertical, using 2 x 25mm pins and 4 x 40mm lost head nails

Old Road, Maisemore, Gloucester, GL2 8HT Tel: 01452 700289 Fax: 01452 700196 email: sales@bees-online.co.uk www.bees-online.co.uk www.honey-online.co.uk